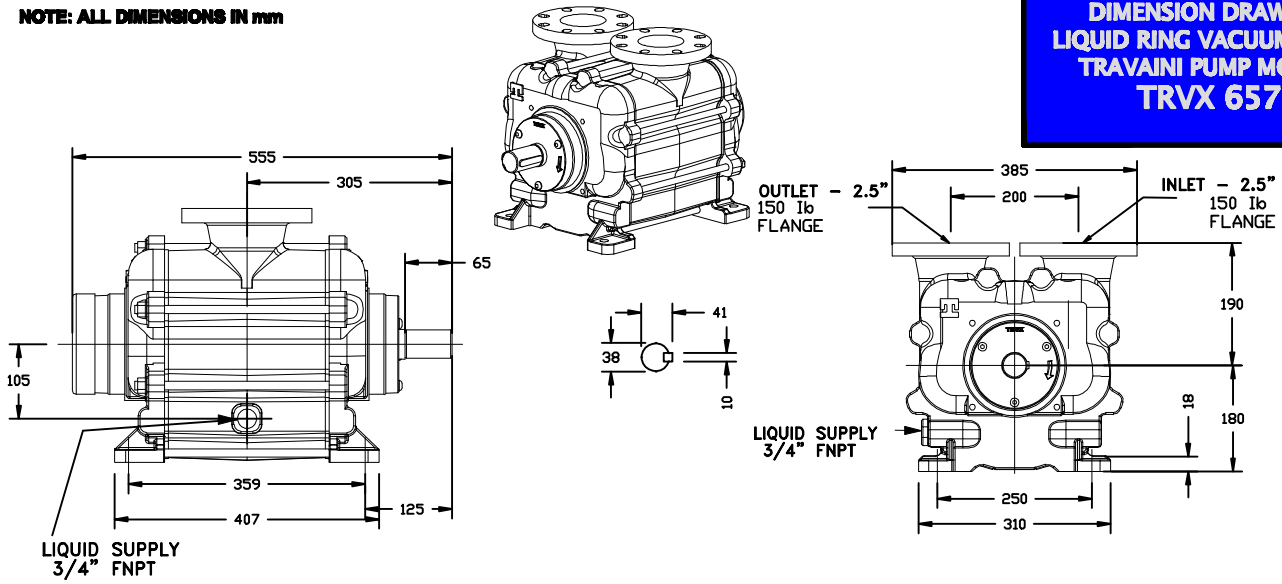
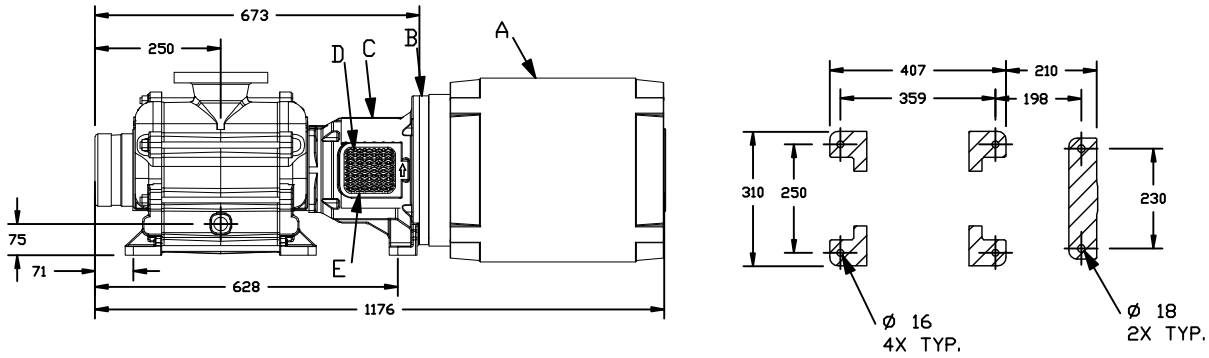


NOTE: ALL DIMENSIONS IN mm

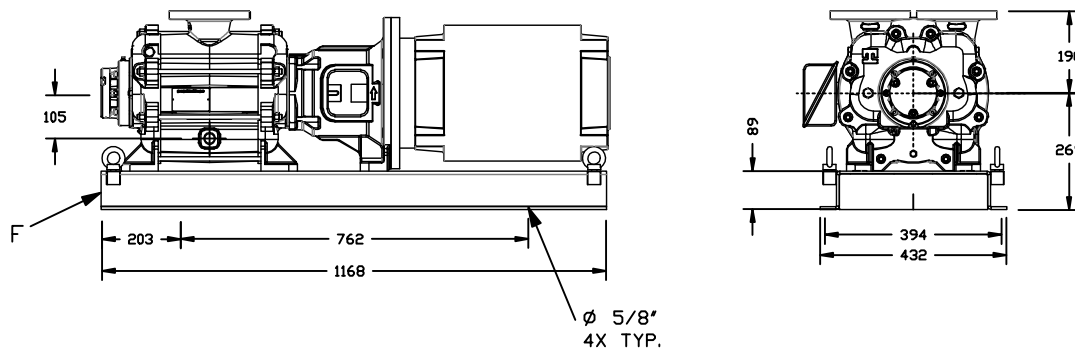
**DIMENSION DRAWING
LIQUID RING VACUUM PUMP
TRAVAINI PUMP MODEL
TRVX 657**



Close-coupled construction



Base-Mounted Construction (Base plate-coupling) with Mechanical seal



A MOTOR 4 POLE		B MOTOR FLANGE #	C LANTERN #	D COUPLING SIZE	E COUPLING GUARD #	F BASE PLATE	WEIGHT (KG.) W/D MOTOR
HP	FRAME						
20	256TC	840 78 100 030	840 80 100 001	8 S	865 80 100 067	801 903 100 030	200



Premier Fluid Systems
Canadian Home of Travaini Pumps

4161 Morris Dr. - Unit 5 * Burlington * Ontario * L7L 5L5 * Website: www.pfspumps.com
Tel: 1-800-461-2611 or 905-637-2611 * Fax: 905-333-4722 * email: info@pfspumps.com

DATE: JULY 2019

No.: 6.300.2